



90W Vehicle power adapter DC to Dc power supply < ED1097



Features

- Wide Input Range
- RoHS Compliance
- Input Voltage Protective Installation
- Over Voltage Protective Installation
- Over Current Protective Installation
- Over Temperature Protective Installation
- Short Circuit Protective Installation
- LED Indication
- Dual output
- MTBF: > 50,000 hours

ED1097 x - vv

- x:** Output Voltage
- vv:** Specified output voltage, ie 24 is 24Vdc

Electrical Specifications

MODEL No.	MAX. OUTPUT POWER (W)	INPUT VOLTAGE (Vdc)	OUTPUT VOLTAGE (Vo)	LOAD		LOAD REGULATION	LINE REGULATION	RIPPLE & NOISE
				MIN. (Io)	MAX. (Io)			
ED1097	90W	11~16V	19~20V	0A	4.61A	± 5%	± 1%	290mV
			5.1V	0A	2.1A	± 5%	± 1%	150mV
ED1097A	90W	11~16V	19.5V	0A	4.61A	± 5%	± 1%	290mV
			5.1V	0A	2.1A	± 5%	± 1%	150mV

NOTE:

- 1 : Ripple & noise is measured by using 20MHz bandwidth limited oscilloscope and terminated each output with a 0.1uF ceramic capacitor & parallel with 47uF aluminum capacitor at full load and nominal line.
- 2 : Line regulation is defined by changing ±10% of input voltage from nominal line at rated load.
- 3 : Max. Output Power (W) ≥Vo x Io

Electrical Specifications

INPUT

- Input Range 11 to 16 Vdc
- Input Current ≤10A
- Inrush Current No Damage to relative components
- Efficiency 90% Typ.
- Turn On Time ≤3S

OUTPUT

- Over Voltage Protection Auto Recovery
- Short Circuit Protection Auto Recovery
- Over Current Protection Auto Recovery
- Over Temperature Protection Auto Recovery

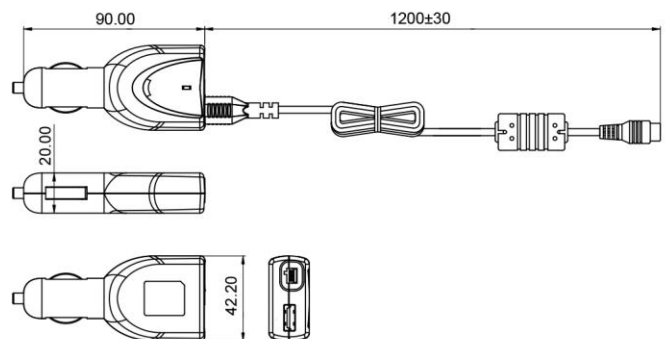
ENVIRONMENTAL

- Operating temperature 0 to 40°C
- Storage temperature -20 to 85°C
- Storage humidity 5% to 95%

SAFETY

- CE, FCC

Mechanical Specification



- Case Size: 90L x 42.2W x 20H (mm)
- Weight: 55g