



10.71W Vehicle power adapter DC to Dc power supply < ED1006A



Features

- USB output + Main output (pass through)
- RoHS Compliance
- 2Pin Jack Input
- Over Voltage Protective Installation
- Over Current Protective Installation
- Short Circuit Protective Installation
- MTBF: >30,000 hours
- USB ports Recommend for Ipad charge

ED1006A

Electrical Specifications

MODEL No.	MAX. OUTPUT POWER (W)	INPUT VOLTAGE (Vdc)	OUTPUT VOLTAGE (Vo)	LOAD		LOAD REGULATION	LINE REGULATION	RIPPLE & NOISE
				MIN. (Io)	MAX. (Io)			
ED1006A	10.71W	15~24V	5.1V	0A	2.1A	± 5%	± 2%	100mV

NOTE:

- 1 : Ripple & noise is measured by using 20MHz bandwidth limited oscilloscope and terminated each output with a 0.1uF ceramic capacitor & parallel with 47uF aluminum capacitor at full load and nominal line.
- 2 : Line regulation is defined by changing ±10% of input voltage from nominal line at rated load.
- 3 : Max. Output Power (W) ≥Vo x Io

Electrical Specifications

INPUT

- Input Range 15 ~ 24Vdc
- Input Current ≤6A
- Inrush Current No Damage to relative components
- Efficiency 85% Typ. (USB Port)
- Turn On Time ≤3S

OUTPUT

- Over Voltage Protection Auto Recovery
- Short Circuit Protection Auto Recovery
- Over Current Protection Auto Recovery

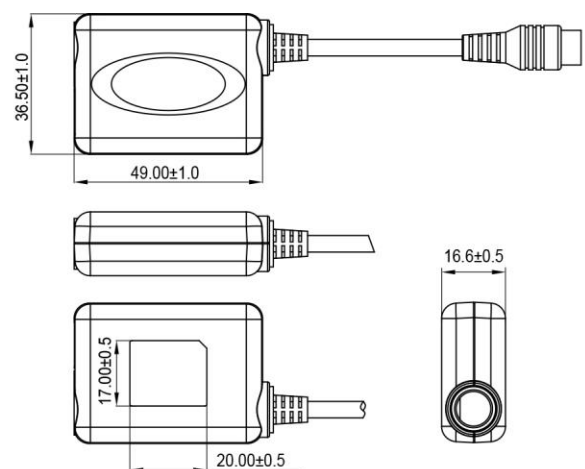
ENVIRONMENTAL

- Operating Temperature 0 to 40°C
- Storage Temperature -20 to 85°C
- Storage Humidity 5% to 95%

SAFETY

- CB, FCC, cTUVus, TUV, CE

Mechanical Specification



- Case Size: 49L x 36.5W x 16.6H (mm)