



E-Star Power Development Co., Ltd. (E-STAR)
 1F, No.40, Juren Ln., Sec. 2, Sanmin Rd., Banciao Dist., New Taipei City
 22069, Taiwan (R.O.C.)
 Phone : 886-2-2957 5580 Fax : 886-2-2957 7473

10AMP Module DC to Dc power supply > FM10D200P



FEATURES

- * Half Brick Size Meet Industrial Standard
- * PCB Mount
- * 10A Filter Module
- * 200VDC Input Voltage Maximum
- * All capacitor are multi-layer ceramic
- * Fire & Smoke Meets EN45545-2



MODEL NUMBER	INPUT VOLTAGE	INPUT SURGE VOLTAGE	OUTPUT RATED CURRENT	DC RESISTANCE (+Vin to +Vo)	DC RESISTANCE (-Vin to -Vo)
FM10D200P	200 VDC max.	250 VDC max.	10 A max.	50 mΩ typ.	50 mΩ typ.

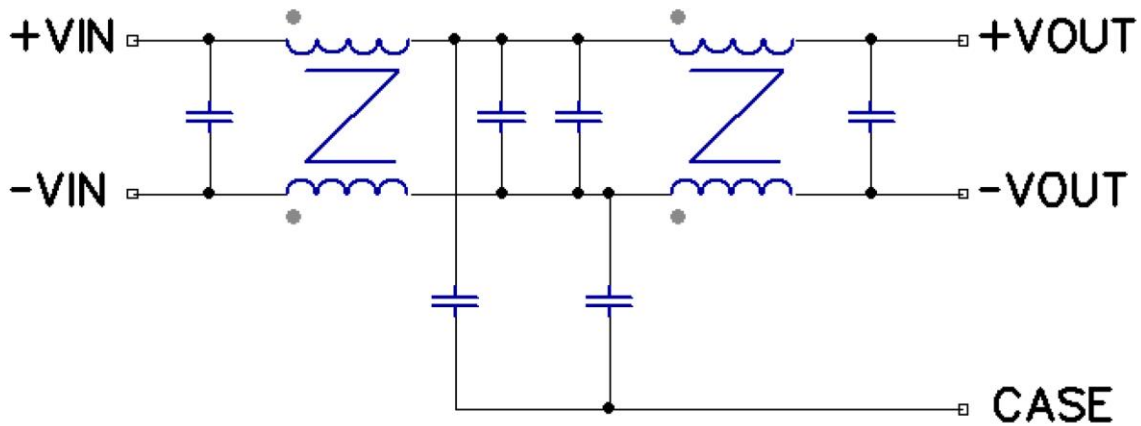


Figure1 Internal Schematic for FM10D200P Module



E-Star Power Development Co., Ltd. (E-STAR)

1F., No.40, Juren Ln., Sec. 2, Sanmin Rd., Banciao Dist., New Taipei City 22069, Taiwan (R.O.C.)

Phone : 886-2-2957 5580 Fax : 886-2-2957 7473

10AMP Module DC to Dc power supply > FM10D200P

SPECIFICATIONS

All Specifications Typical At Nominal Line, Full Load, and 25°C Unless Otherwise Noted

INPUT SPECIFICATIONS:

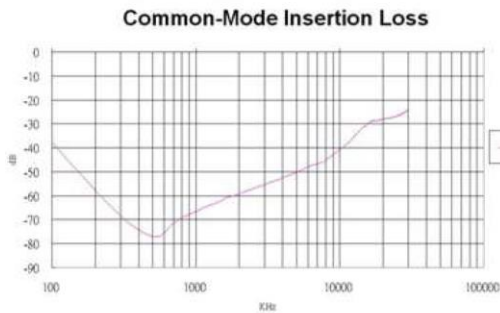
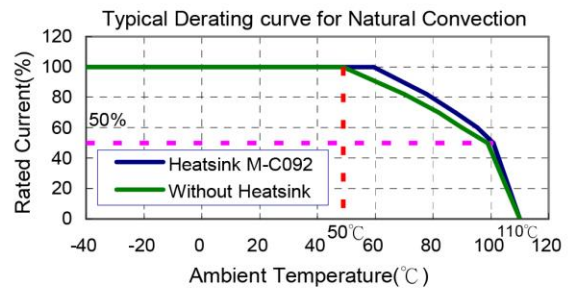
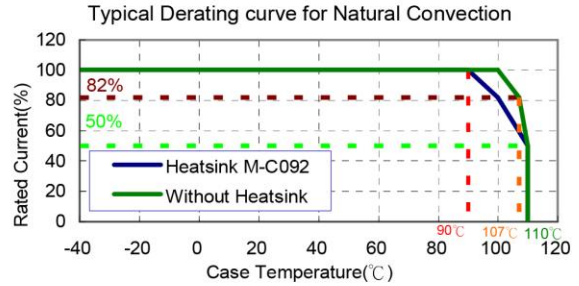
Input Voltage Range 200Vdc max.
 Input Surge Voltage 250Vdc/1s
 Input Rated Current (note 1) 10A max

GENERAL SPECIFICATIONS:

Isolation Voltage Input/Output/Case 3000Vdc min.
 Isolation Resistance 10⁸ohm min.
 DC Resistance See Table
 Operating Case Temperature Range (note 1) -40°C to +110°C
 Storage Temperature Range -55°C to +105°C
 Dimensions 2.28x2.40x0.97 inches (57.9x 61x24.6 mm)
 Case Material Aluminum Case with Silicone Potting
 Weight 128g

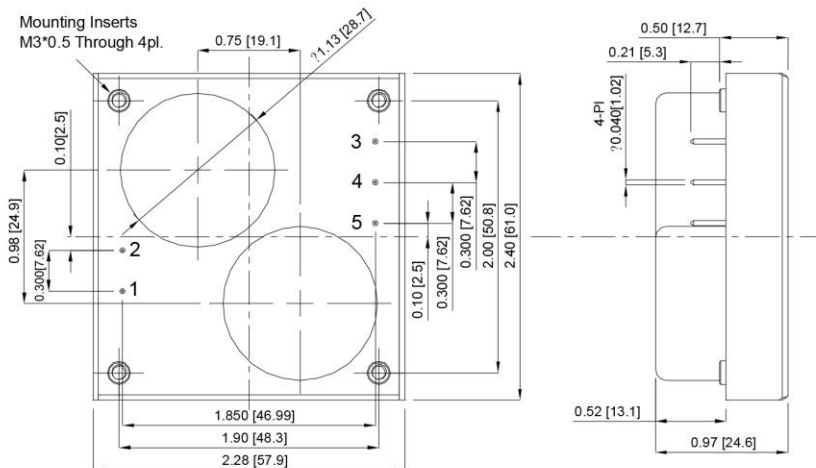
NOTE :

1. Maximum case temperature under any operating condition should refer derating curve



Typical Common-mode and Differential-mode Loss for FM10D200P

NOTE: Pin Size is 0.04±0.004 Inch (1.0±0.1mm) DIA
 All Dimensions In Inches[mm]
 Tolerance Inches: x.xx= ± 0.02 ,x.xxx= ± 0.010
 Millimeters: x.x = ± 0.5 ,x.xx = ± 0.25



PIN CONNECTION	
Pin	Function
1	+V Input
2	-V Input
3	CASE
4	-V Output
5	+V Output