



E-Star Power Development Co., Ltd. (E-STAR)
 1F, No.40, Juren Ln., Sec. 2, Sanmin Rd., Banciao Dist., New Taipei City
 22069, Taiwan (R.O.C.)
 Phone : 886-2-2957 5580 Fax : 886-2-2957 7473

SAMP Module DC to Dc power supply > FM05D200P



FEATURES

- * Quarter-Brick Size Meet Industrial Standard
- * PCB Mount
- * 5A Filter Module
- * 200VDC Input Voltage Maximum
- * All Capacitors are Multi-Layer Ceramic
- * Fire & Smoke Meets EN45545-2



MODEL NUMBER	INPUT VOLTAGE	INPUT SURGE VOLTAGE	OUTPUT RATED CURRENT	DC RESISTANCE (+Vin to +Vo)	DC RESISTANCE (-Vin to -Vo)
FM05D200P	200 VDC max.	250 VDC max.	5 A max.	34 mΩ typ.	34 mΩ typ.

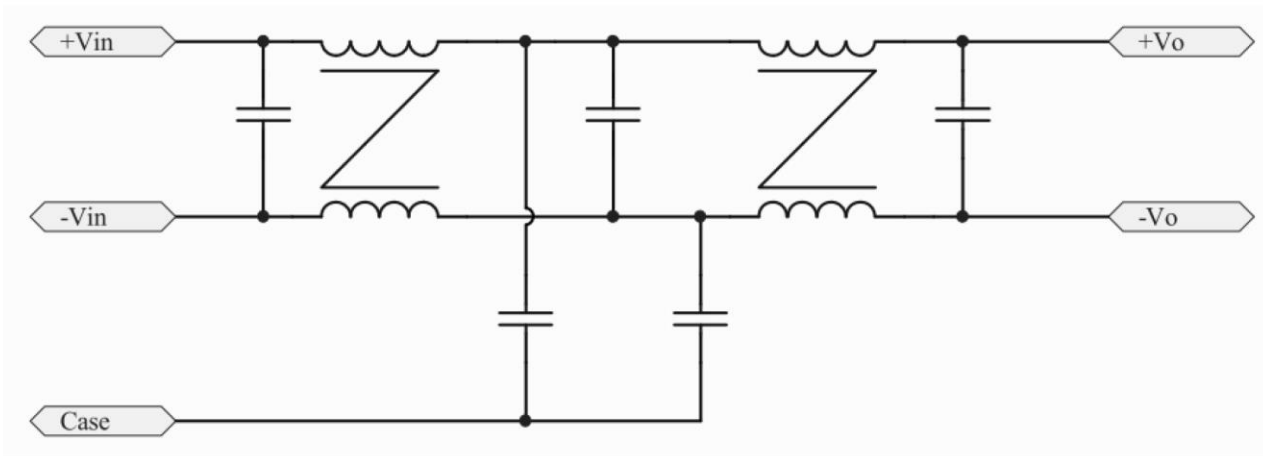


Figure1 Internal Schematic for FM05D200P Module



SAMP Module DC to Dc power supply > FM05D200P

SPECIFICATIONS

All Specifications Typical At Nominal Line, Full Load, and 25°C Unless Otherwise Noted

INPUT SPECIFICATIONS:

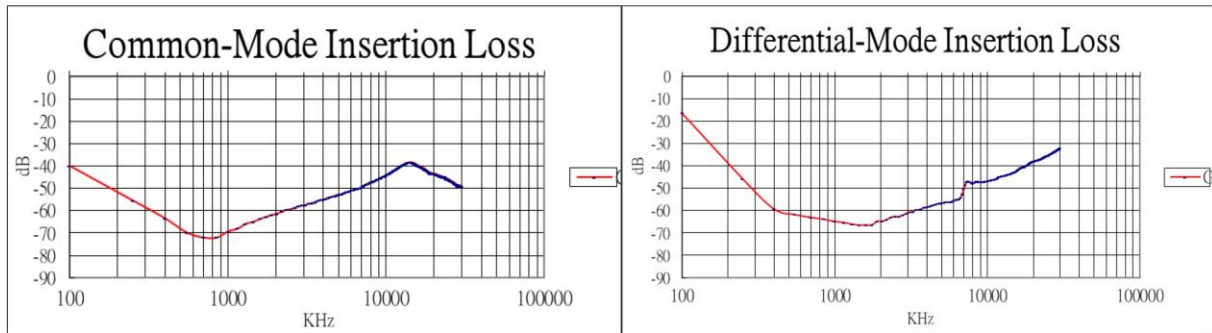
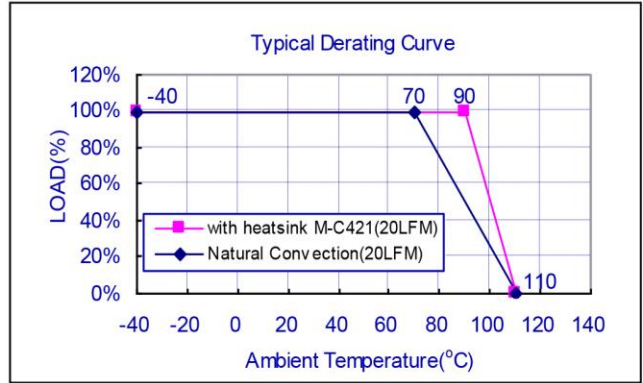
Input Voltage Range 200Vdc max.
 Input Surge Voltage 250Vdc/1s
 Input Rated Current (note 1) 5A max

GENERAL SPECIFICATIONS:

Isolation Voltage (Input/Case, Output/Case) 2250Vdc min.
 1500Vac min.
 Isolation Resistance(Input/Case, Output/Case)..... 10⁸ohm min
 DC Resistance See Table
 Operating Case Temperature Range (note 1) -40°C to +110°C
 Storage Temperature Range -55°C to +110°C
 Dimensions 2.28x1.45x0.50 inches (57.9x 36.8x12.7 mm)
 Case Material Aluminum Base-plate with Plastic Case
 Potting.....Silicone Potting
 Weight 59g

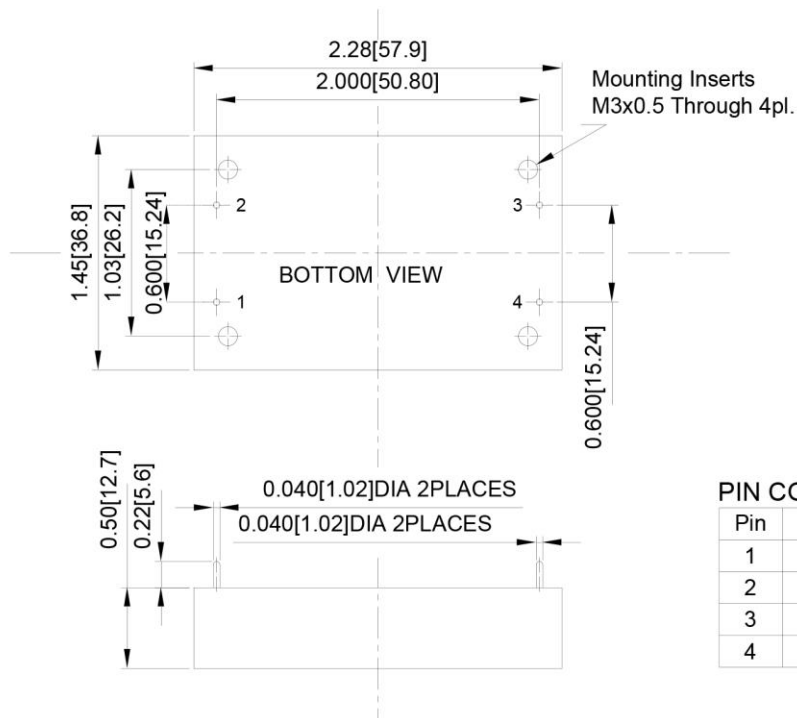
NOTE :

1. Maximum case temperature under any operating condition should not exceed 110°C.



Typ common-mode and differential-mode insertion loss

All Dimensions In Inches (mm)
 Tolerance Inches: X.XX= ±0.02 , X.XXX= ±0.010
 Millimeters: X.X= ±0.5 , X.XX=±0.25



PIN CONNECTION

Pin	Function
1	+V Input
2	-V Input
3	-V Output
4	+V Output