



E-Star Power Development Co., Ltd. (E-STAR)
 1F., No.40, Juren Ln., Sec. 2, Sanmin Rd., Banciao Dist., New Taipei City
 22069, Taiwan (R.O.C.)
 Phone : 886-2-2957 5580 Fax : 886-2-2957 7473

7.5W Travel Power Supply < PS1006

Features

Over-Voltage Protection
 Over-Current Protection

Limit current Protection

Short-circuit Protection
 100%Hi-pot & ATE Tested

100%Burn-in under (40°C)

Low Ripple/Noise
 MTBF 50000 HRS At 25°C

LVD authentication

DoE VI and CoC Tier VI Efficiency
 Regulations Compliance

Cispr 22 CLASS B, VCCI CLASS B,
 FCC Part15 CLASS B, Compliance

PS1006 Series

Wall Mount/USB- Interchangeable-Side Plug-In



Specification

Model No	PS1006-xxxxyyzzz
Transformer	EE16-1
Item	
Output Voltage	5
Output Current(Max.)	1.5A
Output Power(Max.)	7.5W
Input Voltage	AC90~264V
Input Frequency	47~63Hz
Input Current	0.3A Max
Inrush Current	40A Max
Line Regulation	1% Max
Ripple&Noise	2% Max
Load Regulation	5% Max
Efficiency	DoE VI & CoC Tier 2 VI
Operating Temperature	0~40°C
Storage Temperature	-20~85°C
Over-Voltage Protection	Auto Recovery
Short-circuit Protection	Auto Recovery
Safety Standard	CB
EMC(EMI/EMS)	



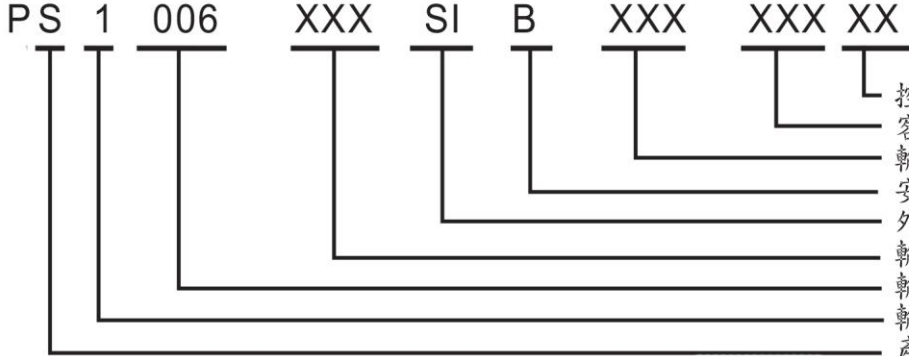
E-Star Power Development Co., Ltd. (E-STAR)

1F., No.40, Juren Ln., Sec. 2, Sanmin Rd., Banciao Dist., New Taipei City 22069, Taiwan (R.O.C.)

Phone : 886-2-2957 5580 Fax : 886-2-2957 7473

7.5W Travel Power Supply < PS1006

機種編碼 Products code:



Ctrl Nbr
 Customer code
 Output Current
 A:ClassI/B:ClassII
 Case type
 Output voltage
 Output power
 Output: Single/Multi
 Product type

