



E-Star Power Development Co., Ltd. (E-STAR)
 1F., No.40, Juren Ln., Sec. 2, Sanmin Rd., Banciao Dist., New Taipei City
 22069, Taiwan (R.O.C.)
 Phone : 886-2-2957 5580 Fax : 886-2-2957 7473

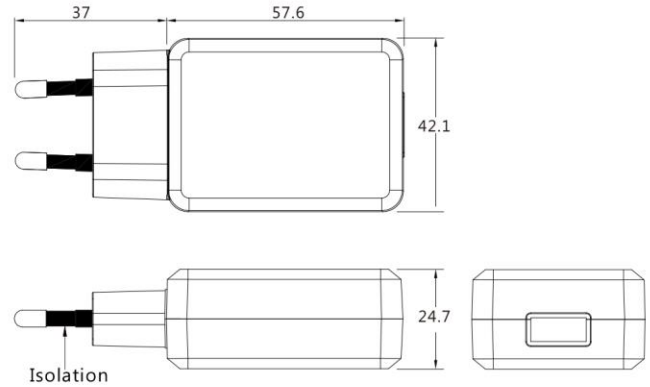
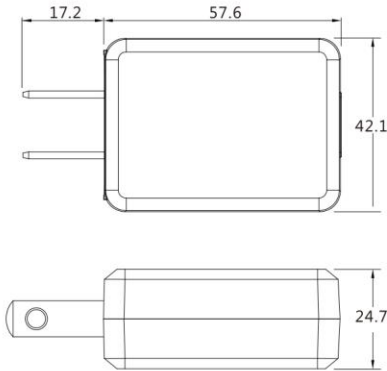
18W Wall Mount power supply > APSU18



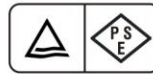
FIG 1: American



FIG 2: European



■ Safety agency approvals:



■ Specifications:

Model No.	APSU18
AC input range	100~240VAC; 47~63Hz; 0.5A
Leakage current	0.25mA Max.@ 240VAC/50Hz
Operating temperature	-20°C to ~+70°C(safety approval 0°C to 40°C, >40°C please contact the sales request derating curve.)
Withstand voltage	4242VDC from input to output
EMC	(A)CE EN 55032,EN 55024 (B)FCC 47 CFR Part 15 Subpart B
Safety	(A) UL/cUL (B) TUV/GS (C) TUV/PSE (D) CB
Warranty	1 year

■ X= U: (American type FIG 1) or E: (European type FIG 2)

Model name	Output Voltage(VDC)	Output Current(A)	Max.Output power(W)	Ripple.(mV) max.	Line Regulation(%)	Load Regulation(%)	Avg.Eff.(%) DoE(VI)_CoC(5)	No load Power Consumption(W)	Measured at the output of
APSU18X-0	3~5	2.70~1.62	8.1	100	±1	±7	>77.2	<0.1	3.3
APSU18X-1	5~6	3.00~2.50	15	80	±1	±5	>81.39	<0.1	5
APSU18X-1-1	6~8	2.50~1.87	16.50	100	±1	±5	>84.13	<0.1	7.5
APSU18X-2	8~11	2.10~1.64	18.04	80	±1	±5	>85	<0.1	9
APSU18X-3	11~13	1.64~1.38	18.04	80	±1	±3	>85	<0.1	12
APSU18X-4	13~16	1.38~1.13	18.08	80	±1	±3	>85	<0.1	15
APSU18X-5	16~21	1.13~0.86	18.08	80	±1	±3	>85	<0.1	18
APSU18X-6	21~27	0.86~0.67	18.09	100	±1	±2	>85	<0.1	24
APSU18X-7	27~33	0.67~0.55	18.15	240	±1	±2	>85	<0.1	28
APSU18X-8	33~58	0.55~0.32	18.56	120	±1	±2	>85	<0.1	48

Note:

1.Weight: Approx 140~160gs

2.Optional output connectors (See appendix A)

3.Avg. Eff.(%): Averages the efficiency at 25, 50, 75, and 100 % of max. rated output current.

4.Standard Output cable: **3~5V**: UL2468, 18AWG, 1M; **5~13V**: UL2468, 20AWG, 1M; **13~58V**: UL2468, 24AWG, 5FT