



E-Star Power Development Co., Ltd. (E-STAR)
 1F., No.40, Juren Ln., Sec. 2, Sanmin Rd., Banciao Dist., New Taipei City
 22069, Taiwan (R.O.C.)
 Phone : 886-2-2957 5580 Fax : 886-2-2957 7473

15W Wall Mount power supply > APSU15



FIG 1: American

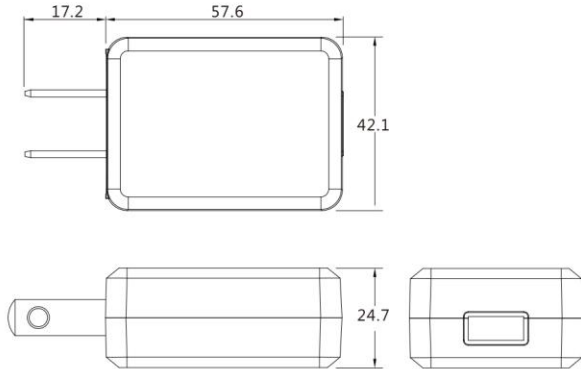
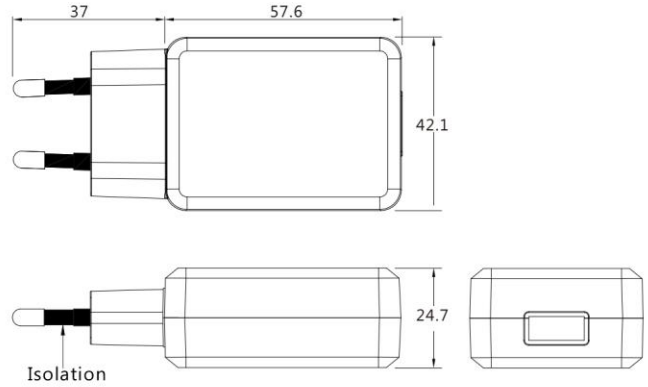
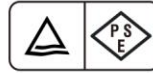


FIG 2: European



■ Safety agency approvals:



FC CE CB LPS

■ Specifications:

Model No.	APSU15
AC input range	100~240VAC; 47~63Hz; 0.4A
Leakage current	0.25mA Max.@ 240VAC/50Hz
Operating temperature	-20°C to ~+70°C(safety approval 0°C to 40°C, >40°C please contact the sales request derating curve.)
Withstand voltage	4242VDC from input to output
EMC	(A)CE EN 55032,EN 55024 (B)FCC 47 CFR Part 15 Subpart B
Safety	(A) UL/cUL (B) TUV/GS (C) TUV/PSE (D) CB
Warranty	1 year

■ **X= U:** (American type FIG 1) or **E:** (European type FIG 2)

Model name	Output Voltage(VDC)	Output Current(A)	Max.Output power(W)	Ripple.(mV) max.	Line Regulation(%)	Load Regulation(%)	Avg.Eff.(%) DoE(VI)_CoC(5)	No load Power Consumption(W)	Measured at the output of
APSU15X-0	3~5	2.40~1.46	7.3	100	± 1	± 7	>76.42	<0.1	3.3
APSU15X-1	5~6	2.70~2.00	13.5	50	±0.5	± 5	>79.94	<0.1	5
APSU15X-1-1	6~8	2.50~1.80	15	80	± 0.5	± 5	>82.96	<0.1	7.5
APSU15X-2	8~11	1.80~1.36	15	80	± 0.5	± 5	>84.13	<0.1	9
APSU15X-3	11~13	1.36~1.15	15	80	± 0.5	± 3	>84.13	<0.1	12
APSU15X-4	13~16	1.15~0.94	15	100	± 0.5	± 3	>84.13	<0.1	15
APSU15X-5	16~21	0.94~0.72	15	120	± 0.5	± 3	>84.13	<0.1	18
APSU15X-6	21~27	0.72~0.55	15	150	± 0.5	± 2	>84.13	<0.1	24
APSU15X-7	27~33	0.55~0.45	15	240	± 0.5	± 2	>84.13	<0.1	28
APSU15X-8	33~58	0.45~0.26	15	240	± 0.5	± 2	>84.13	<0.1	48

Note:

1.Weight: Approx 120~140gs

2.Optional output connectors (See appendix A)

3.Avg. Eff.(%): Averages the efficiency at 25, 50, 75, and 100 % of max. rated output current.

4.Standard Output cable: **3~5V:** UL2468, 18AWG, 1M; **5~13V:** UL2468, 20AWG, 4FT; **13~58V:** UL2468, 24AWG, 6FT