



130~180W Desktop single power supply < EA1170

AC/DC Desktop Adapter



Features

- 100-240VAC Universal Input
- LED Indicator
- Active PFC Function
- Protections:
 Short circuit / Over voltage / Over current
 Over temperature
- Energy Efficiency Level VI or CoC Tier II
- No Load Power Consumption $\leq 0.21W$ (VI), $\leq 0.15W$ (Tier II)
- MTBF > 50,000 hours

EA1170 X Y - vv PP

- X:** AC inlet: 1. C14 2. C8 3. C6 6. C18
Y: Output range
vv: Specified output voltage, i.e. 12 is 12VDC
PP: DC plug type, i.e. Code 01 for 5.5x2.1mm
 or other options (refer to the appendix page)

MODEL No.	MAX. OUTPUT POWER (W)	OUTPUT VOLTAGE (Vo)	MIN. LOAD (Io)	MAX. LOAD (Io)	LOAD REGULATION	LINE REGULATION	RIPPLE & NOISE
EA1170xA	130W	12~16	0A	10.83A	± 5%	± 1%	240mV
EA1170xB	130W	19~24	0A	6.84A	± 5%	± 1%	360mV
EA1170xC	140W	12~16	0A	11.66A	± 5%	± 1%	240mV
EA1170xD	140W	19~24	0A	7.36A	± 5%	± 1%	360mV
EA1170xE	150W	12~16	0A	12.5A	± 5%	± 1%	240mV
EA1170xF	150W	19~24	0A	7.89A	± 5%	± 1%	360mV
EA1170xG	150W	32~42	0A	4.68A	± 5%	± 1%	630mV
EA1170xH	150W	44~56	0A	3.12A	± 5%	± 1%	840mV
EA1170xJ	130W	32~42	0A	4.06A	± 5%	± 1%	640mV
EA1170xK	130W	44~56	0A	2.95A	± 5%	± 1%	840mV
EA1170xM	160W	12~16	0A	13.33A	± 5%	± 1%	240mV
EA1170xN	160W	19~24	0A	8.42A	± 5%	± 1%	360mV
EA1170xP	170W	19~24	0A	8.94A	± 5%	± 1%	360mV
EA1170xQ	180W	19~24	0A	9.47A	± 5%	± 1%	360mV
EA1170xR	180W	32~42	0A	5.62A	± 5%	± 1%	630mV
EA1170xS	180W	44~56	0A	3.75A	± 5%	± 1%	840mV

NOTE:

- 1 : Ripple & Noise is measured by using 20MHz bandwidth limited oscilloscope and terminated each output with a 0.1uF ceramic capacitor & parallel with 47uF aluminum capacitor at full load and nominal line.
- 2 : Line regulation is defined by changing $\pm 10\%$ of input voltage from nominal line at rated load.
- 3 : Max. Power (W) $\geq V_o \times I_o$

Electrical Specification

INPUT

- Input Range 100 to 240 VAC
- Frequency 50 to 60Hz
- Input Current $\leq 2.5A$
- Inrush Current 60A/100VAC 120A/230VAC
- Hold Up Time $\geq 8.3ms$
- Turn On Time $\leq 3s$

OUTPUT

- Short Circuit Protection Auto Recovery
- Over Voltage Protection Latch-off
- Over Current Protection Auto Recovery
- Over Temperature Protection Latch-off

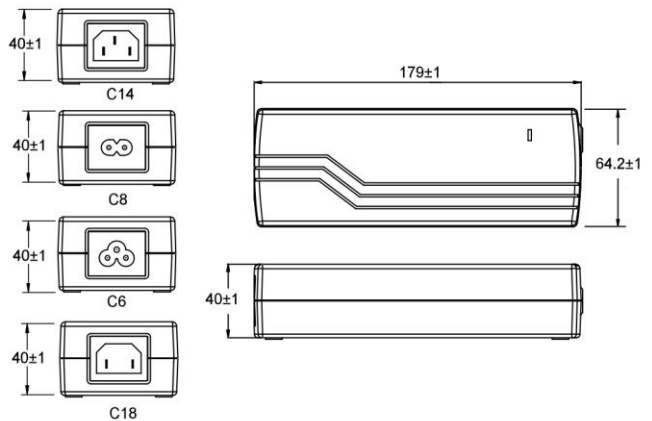
ENVIRONMENT

- Operating Temperature 0 to 40°C
- Storage Temperature -20 to 85°C
- Operating Humidity 10% to 90%
- Storage Humidity 5% to 95%

SAFETY

- Certified for whole series: UL/cUL 62368-1, TUV EN 62368-1, CB IEC 62368-1, FCC, CE
- Certified for assigned models: CCC, BSMI, PSE, RCM, KC, BIS, CU, PSB, NRCAN, Argentina, KVALITE

Mechanical Specification



- Case Size: 179L x 64.2W x 40H (mm)
- AC Inlet: C14, C8, C6, C18
- Weight: 705g