



60W Desktop single power supply < EA1062

USB Type-C Adapter



Features

- USB Power Delivery Function
- 100-240VAC Universal Input
- LED Indicator
- LPS compliance
- Protections:
 - Short circuit / Over voltage / Over current
 - Over temperature (optional)
- Energy Efficiency Level VI
- No Load Power Consumption $\leq 0.21W$
- MTBF > 100,000 hours

EA1062 X - PP

X: AC inlet: 1. C14 2. C8 3. C6 6. C18
PP: DC plug Code 92 for USB Type-C

MODEL No.	MAX. OUTPUT POWER (W)	OUTPUT VOLTAGE (Vo)	MIN. LOAD (Io)	MAX. LOAD (Io)	LOAD REGULATION	LINE REGULATION	RIPPLE & NOISE
EA1062XY	60W	5V	0A	3A	$\pm 5\%$	$\pm 1\%$	100mV
		9V					180mV
		15V					300mV
		20V					360mV

NOTE:

- 1 : Ripple & Noise is measured by using 20MHz bandwidth limited oscilloscope and terminated each output with a 0.1uF ceramic capacitor & parallel with 47uF aluminum capacitor at full load and nominal line.
- 2 : Line regulation is defined by changing $\pm 10\%$ of input voltage from nominal line at rated load.
- 3 : Max. Power (W) $\geq V_o \times I_o$

Electrical Specification

INPUT

- Input Range: 100 to 240 VAC
- Frequency: 50 to 60Hz
- Input Current: $\leq 2.5A$
- Inrush Current: 50A/100VAC 100A/230VAC
- Hold Up Time: $\geq 8.3ms$
- Turn On Time: $\leq 3s$

OUTPUT

- Short Circuit Protection: Auto Recovery
- Over Voltage Protection: Auto Recover
- Over Current Protection: Auto Recovery
- Over Temperature Protection: Optional

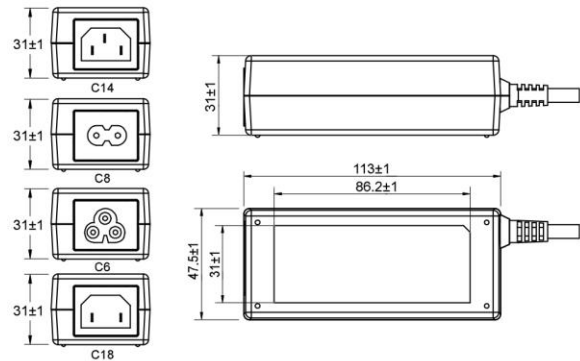
ENVIRONMENT

- Operating Temperature: 0 to 40°C
- Storage Temperature: -20 to 85°C
- Operating Humidity: 10% to 90%
- Storage Humidity: 5% to 95%

SAFETY

- Complied with UL/cUL 62368-1, TUV EN 62368-1, CB IEC 62368-1, FCC, CE
- Certified for assigned models: CCC

Mechanical Specification



- Case Size: 113L x 47.5W x 31H (mm)
- AC Inlet: C14, C8, C6, C18
- Weight: 300g