



16~36W Desktop single power supply < EA1024

AC/DC Desktop Adapter



Features

- 100-240VAC Universal Input
- LED Indicator (optional)
- LPS Compliance
- Protections:
 Short circuit / Over voltage / Over current
- Energy Efficiency Level VI or CoC Tier II
- No Load Power Consumption $\leq 0.1W$ (VI), $\leq 0.075W$ (Tier II)
- MTBF > 100,000 hours

EA1024 X Y - vv PP

- X:** Output range
- Y:** AC inlet: 1. C14 2. C8 3. C6 6. C18
- vv:** Specified output voltage, i.e. 12 is 12VDC
- PP:** DC plug type, i.e. Code 01 for 5.5x2.1mm or other options (refer to the appendix page)

MODEL No.	MAX. OUTPUT POWER (W)	OUTPUT VOLTAGE (Vo)	MIN. LOAD (Io)	MAX. LOAD (Io)	LOAD REGULATION	LINE REGULATION	RIPPLE & NOISE
EA1024AY	16W	5~8V	0A	2.0A	$\pm 5\%$	$\pm 1\%$	100mV
EA1024BY	20W	5~8V	0A	3.0A	$\pm 5\%$	$\pm 1\%$	100mV
EA1024CY	24W	5~8V	0A	4.0A	$\pm 5\%$	$\pm 1\%$	100mV
EA1024DY	18W	9~11V	0A	1.5A	$\pm 5\%$	$\pm 1\%$	250mV
EA1024EY	24W	9~11V	0A	2.0A	$\pm 5\%$	$\pm 1\%$	250mV
EA1024FY	27W	9~11V	0A	3.0A	$\pm 5\%$	$\pm 1\%$	250mV
EA1024GY	20W	12~17V	0A	1.66A	$\pm 5\%$	$\pm 1\%$	250mV
EA1024HY	30W	12~17V	0A	2.5A	$\pm 5\%$	$\pm 1\%$	250mV
EA1024JY	24W	18~24V	0A	1.33A	$\pm 5\%$	$\pm 1\%$	350mV
EA1024KY	30W	18~24V	0A	1.66A	$\pm 5\%$	$\pm 1\%$	350mV
EA1024MY	20W	36~48V	0A	0.55A	$\pm 5\%$	$\pm 1\%$	480mV
EA1024NY	30W	36~48V	0A	0.83A	$\pm 5\%$	$\pm 1\%$	480mV
EA1024PY	36W	12V	0A	3.0A	$\pm 5\%$	$\pm 1\%$	250mV
EA1024QY	24W	12V	0A	2.0A	$\pm 5\%$	$\pm 1\%$	250mV
EA1024RY	36W	24V	0A	1.5A	$\pm 5\%$	$\pm 1\%$	350mV

NOTE:

- 1 : Ripple & Noise is measured by using 20MHz bandwidth limited oscilloscope and terminated each output with a 0.1uF ceramic capacitor & parallel with 47uF aluminum capacitor at full load and nominal line.
- 2 : Line regulation is defined by changing $\pm 10\%$ of input voltage from nominal line at rated load.
- 3 : Max. Power (W) $\geq V_o \times I_o$

Electrical Specification

INPUT

- Input Range: 100 to 240 VAC
- Frequency: 50 to 60Hz
- Input Current: $\leq 1.0A$
- Inrush Current: 30A/100VAC 60A/230VAC
- Hold Up Time: $\geq 8.3ms$
- Turn On Time: $\leq 3s$

OUTPUT

- Short Circuit Protection: Auto Recovery
- Over Voltage Protection: Latch-off
- Over Current Protection: Auto Recovery

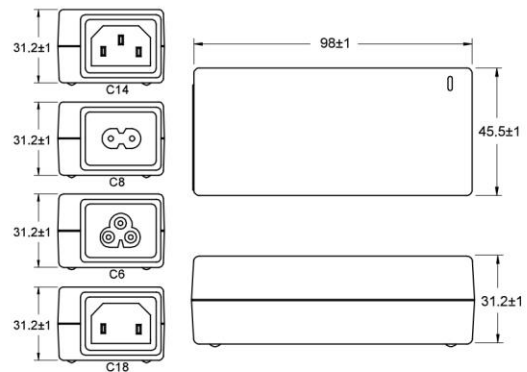
ENVIRONMENT

- Operating Temperature: 0 to 40°C
- Storage Temperature: -20 to 85°C
- Operating Humidity: 10% to 90%
- Storage Humidity: 5% to 95%

SAFETY

- Certified for whole series: UL/cUL 62368-1, TUV EN 62368-1, CB IEC 62368-1, FCC, CE
- Certified for assigned models: CCC, BSMI, PSE, RCM, KC, BIS, CU, PSB, NRCAN, Argentina

Mechanical Specification



- Case Size: 98L x 45.5W x 31.2H (mm)
- AC Inlet: C14, C8, C6, C18
- Weight: 200g