



E-Star Power Development Co., Ltd. (E-STAR)
 1F., No.40, Juren Ln., Sec. 2, Sanmin Rd., Banciao Dist., New Taipei City
 22069, Taiwan (R.O.C.)
 Phone : 886-2-2957 5580 Fax : 886-2-2957 7473

6W Wall Mount Medical power supply > GMPU06

UNIT:mm



FIG 1: American

FIG 2: European

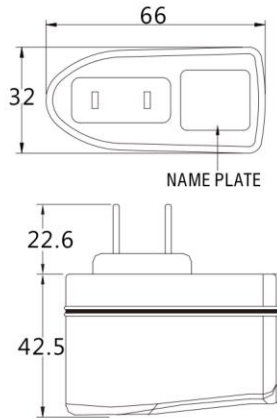


FIG 1: American

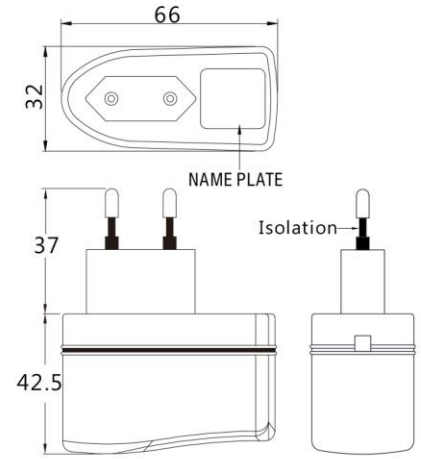


FIG 2: European

■ Safety agency approvals:



■ Specifications:

Model No.	GMPU06
AC input range	100~240VAC; 47~63Hz; 0.18~0.09A
Leakage current	0.1mA Max.@ 240VAC/50Hz
Operating temperature	-20°C to ~+70°C(safety approval 0°C to 40°C, >40°C please contact the sales request derating curve.)
Withstand voltage	5656VDC from input to output
EMC	(A)CE: EN60601-1-2 (B)FCC Part 15 / Part 18 CLASS B
Safety	(A)UL/cUL (B)TUV/GS (C)TUV/PSE
Warranty	2 years

■ X= U: (American type FIG 1) or E: (European type FIG 2)

Model name	Output Voltage(VDC)	Output Current(A)	Max.Output power(W)	Ripple.(mV) max.	Line Regulation(%)	Load Regulation(%)	Avg.Eff.(%) DoE(V)_CoC(4)	No load Power Consumption(W)	Measured at the output of
GMPU06X-1	5~6	1.20~1.00	6	80	±1	±5	>69.54	<0.3	5
GMPU06X-11	5	1	5	80	±1	±5	>68.2	<0.3	5
GMPU06X-1-1	6~8	1.00~0.75	6	80	±1	±5	>74	<0.3	7.5
GMPU06X-2	8~11	0.75~0.55	6	80	±1	±5	>74	<0.3	9
GMPU06X-3	11~13	0.55~0.46	6	120	±1	±5	>74	<0.3	12
GMPU06X-4	13~16	0.46~0.38	6	150	±1	±5	>74	<0.3	15
GMPU06X-5	16~21	0.38~0.29	6	180	±1	±5	>74	<0.3	18
GMPU06X-6	21~24	0.29~0.26	6	200	±1	±4	>74	<0.3	24

- Note:
 1.Weight: Approx 70~100gs
 2.Optional output connectors (See appendix A)
 3.Avg. Eff.(%): Averages the efficiency at 25, 50, 75, and 100 % of max. rated output current.
 4.Standard Output cable: **5~12V**: UL2468, 22AWG, 4FT ; **12~24V**: UL2468, 24AWG, 6FT