



130~180W Desktop type Medical power supply > EM1170

Medical AC/DC Desktop Adapter



Features

- 100-240VAC Universal Input
- LED Indicator
- 2 x MOPP Compliance, IEC/EN60601-1 Approval
- Active PFC Function
- Protections:
 Short circuit / Over voltage / Over current
 Over temperature
- Energy Efficiency Level VI
- No Load Power Consumption $\leq 0.21W$
- MTBF > 50,000 hours

EM1170 X Y - vv PP

X: AC inlet: 1. C14 2. C8 3. C6 6. C18

Y: Output range

vv: Specified output voltage, i.e. 12 is 12VDC

PP: DC plug type, i.e. Code 01 for 5.5x2.1mm
 or other options (refer to the appendix page)

MODEL No.	MAX. OUTPUT POWER (W)	OUTPUT VOLTAGE (Vo)	MIN.	MAX.	LOAD REGULATION	LINE REGULATION	RIPPLE & NOISE
			LOAD (Io)	LOAD (Io)			
EM1170xA	130W	12~16	0A	10.83A	$\pm 5\%$	$\pm 1\%$	240mV
EM1170xB	130W	19~24	0A	6.84A	$\pm 5\%$	$\pm 1\%$	360mV
EM1170xC	140W	12~16	0A	11.66A	$\pm 5\%$	$\pm 1\%$	240mV
EM1170xD	140W	19~24	0A	7.36A	$\pm 5\%$	$\pm 1\%$	360mV
EM1170xE	150W	12~16	0A	12.5A	$\pm 5\%$	$\pm 1\%$	240mV
EM1170xF	150W	19~24	0A	7.89A	$\pm 5\%$	$\pm 1\%$	360mV
EM1170xG	150W	32~42	0A	4.68A	$\pm 5\%$	$\pm 1\%$	630mV
EM1170xH	150W	44~56	0A	3.12A	$\pm 5\%$	$\pm 1\%$	840mV
EM1170xJ	130W	32~42	0A	4.06A	$\pm 5\%$	$\pm 1\%$	640mV
EM1170xK	130W	44~56	0A	2.95A	$\pm 5\%$	$\pm 1\%$	840mV
EM1170xM	160W	12~16	0A	13.33A	$\pm 5\%$	$\pm 1\%$	240mV
EM1170xN	160W	19~24	0A	8.42A	$\pm 5\%$	$\pm 1\%$	360mV
EM1170xP	170W	19~24	0A	8.94A	$\pm 5\%$	$\pm 1\%$	360mV
EM1170xQ	180W	19~24	0A	9.47A	$\pm 5\%$	$\pm 1\%$	360mV
EM1170xR	180W	32~42	0A	5.62A	$\pm 5\%$	$\pm 1\%$	630mV
EM1170xS	180W	44~56	0A	3.75A	$\pm 5\%$	$\pm 1\%$	840mV

NOTE:

- 1 : Ripple & Noise is measured by using 20MHz bandwidth limited oscilloscope and terminated each output with a 0.1uF ceramic capacitor & parallel with 47uF aluminum capacitor at full load and nominal line.
- 2 : Line regulation is defined by changing $\pm 10\%$ of input voltage from nominal line at rated load.
- 3 : Max. Power (W) $\geq V_o \times I_o$

Electrical Specification

INPUT

- Input Range: 100 to 240 VAC
- Frequency: 50 to 60Hz
- Input Current: $\leq 2.5A$
- Inrush Current: 80A/100VAC 120A/230VAC
- Hold Up Time: $\geq 8.3ms$
- Turn On Time: $\leq 3s$

OUTPUT

- Short Circuit Protection: Auto Recovery
- Over Voltage Protection: Latch-off
- Over Current Protection: Auto Recovery
- Over Temperature Protection: Latch-off

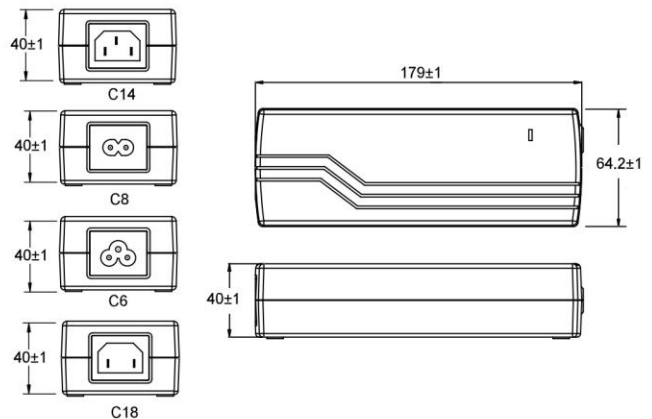
ENVIRONMENT

- Operating Temperature: 0 to 40°C
- Storage Temperature: -20 to 85°C
- Operating Humidity: 10% to 90%
- Storage Humidity: 5% to 95%

SAFETY

- Certified for whole series: UL/cUL 60601-1, TUV EN 60601-1, CB IEC 60601-1, FCC, CE
- Certified for assigned models: RCM, NRCAN

Mechanical Specification



- Case Size: 179L x 64.2W x 40H (mm)
- AC Inlet: C14, C8, C6, C18
- Weight: 705g