



E-Star Power Development Co., Ltd. (E-STAR)
 1F., No.40, Juren Ln., Sec. 2, Sanmin Rd., Banciao Dist., New Taipei City
 22069, Taiwan (R.O.C.)
 Phone : 886-2-2957 5580 Fax : 886-2-2957 7473

6W Battery Charger Power supply > GPSU06-CC



FIG 1: American

FIG 2: European

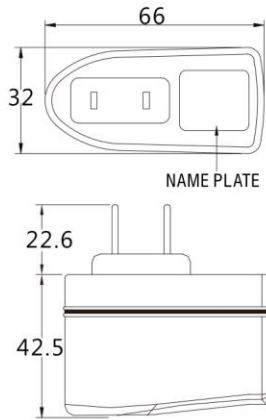


FIG 1: American

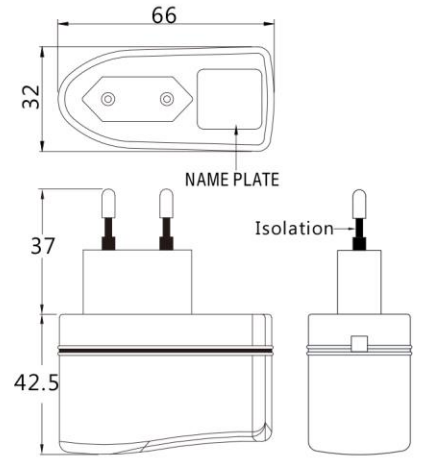


FIG 2: European

■ Safety agency approvals:



FC CE CB LPS

■ Specifications:

Model No.	GPSU06-CC
AC input range	100~240VAC; 47~63Hz; 0.2A
Leakage current	0.25mA Max.@ 240VAC/50Hz
Operating temperature	-20°C to ~+70°C (safety approval 0°C to 40°C, >40°C please contact the sales request derating curve.)
Withstand voltage	4242VDC from input to output
EMC	(A)CE EN 55032, EN 55024 (B)FCC 47 CFR Part 15 Subpart B
Safety	(A) UL/cUL (B) TUV/GS (C) CB
Warranty	1 year

■ X= U: (American type FIG 1) or E: (European type FIG 2)

Model name	Output Voltage(VDC)	Output Current(A)	Max.Output power(W)	Ripple.(mV) max.	Line Regulation(%)	Load Regulation(%)	Efficiency(%) (min)	No load Power Consumption(W)	Measured at the output of
GPSU06X-0-CC	3~5	1.33~0.80	4	50	±1	±10	>45	<0.5	3.3
GPSU06X-1-CC	5~6	1.00~0.80	5	50	±0.5	±6	>60	<0.5	5.6
GPSU06X-1-1-CC	6~8	1.00~0.75	6	80	±0.5	±5	>65	<0.5	7.2
GPSU06X-2-CC	8~11	0.75~0.54	6	80	±0.5	±5	>70	<0.5	8.4
GPSU06X-3-CC	11~13	0.54~0.46	6	100	±0.5	±4	>74	<0.5	12
GPSU06X-4-CC	13~16	0.46~0.37	6	120	±0.5	±4	>74	<0.5	13.8
GPSU06X-5-CC	16~21	0.37~0.28	6	150	±0.5	±4	>74	<0.5	18
GPSU06X-6-CC	21~27	0.28~0.20	6	180	±0.5	±3	>75	<0.5	24
GPSU06X-7-CC	27~33	0.20~0.18	6	200	±0.5	±3	>75	<0.5	28.6
GPSU06X-8-CC	33~48	0.18~0.12	6	200	±0.5	±3	>75	<0.5	48

Note:

1.Weight:Approx 70~100gs

2.Optional output connectors (See appendix A)