



E-Star Power Development Co., Ltd. (E-STAR)  
 1F., No.40, Juren Ln., Sec. 2, Sanmin Rd., Banciao Dist., New Taipei City  
 22069, Taiwan (R.O.C.)  
 Phone : 886-2-2957 5580 Fax : 886-2-2957 7473

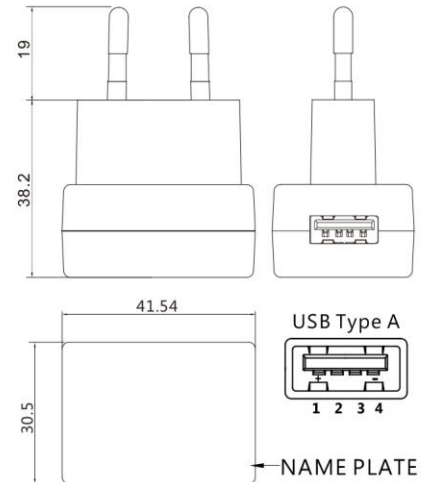
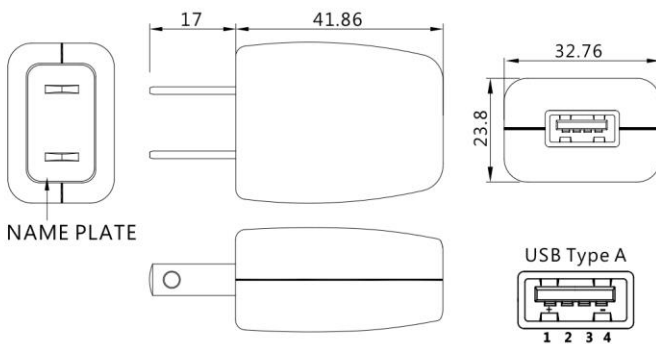
**6W Battery Charger Power supply > APSU06-USB**



**FIG 1: American**



**FIG 2: European**



**■ Safety agency approvals:**



**FC CE CB LPS**

**■ Specifications:**

Model No.	<b>APSU06-USB</b>
AC input range	100~240VAC; 47~63Hz; 0.2A
Leakage current	0.25mA Max.@ 240VAC/50Hz
Operating temperature	-20°C to ~ +70°C(safety approval 0°C to 40°C, >40°C please contact the sales request derating curve.)
Withstand voltage	4242VDC from input to output
EMC	(A)CE EN 55032,EN 55024 (B)FCC 47 CFR Part 15 Subpart B
Safety	(A) UL/cUL (B) TUV/GS (C) TUV/PSE (D) CB
Warranty	1 year

**■ X= U:** (American type FIG 1) or **E:** (European type FIG 2)

Model name	Output Voltage(VDC)	Output Current(A)	Max.Output power(W)	Ripple.(mV) max.	Line Regulation(%)	Load Regulation(%)	Avg.Eff.(%) DoE(VI)_CoC(5)	No load Power Consumption(W)	Measured at the output of
APSU06X-1-USB	5	1.2	6	50	±0.5	±5	>75	<0.1	5

Note:  
 1.Weight: Approx 70~100gs  
 2.Avg. Eff.(%): Averages the efficiency at 25, 50, 75, and 100 % of max. rated output current.